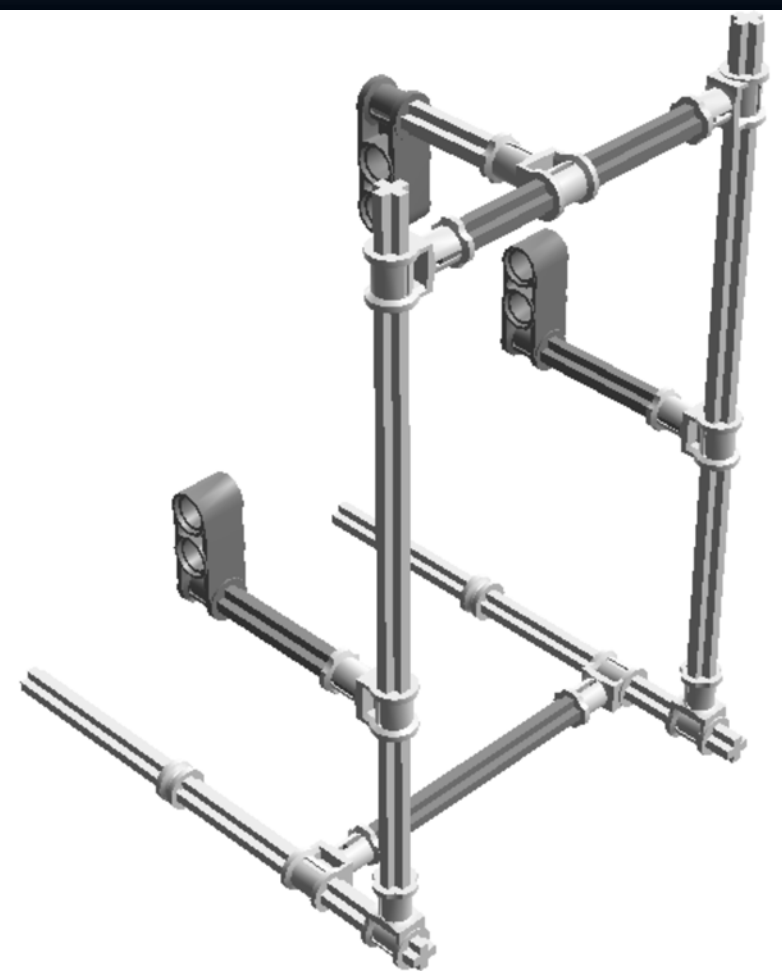


LEGO DIGITAL DESIGNER 4.2

Model Name:
LEgoLish_PhoneHolder
Number of Bricks: 23



Step 1 of 14



Step 2 of 14



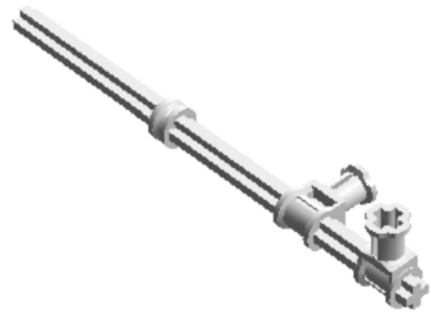
Step 3 of 14



Step 4 of 14



Step 5 of 14



Step 6 of 14



Step 7 of 14



Step 8 of 14



Step 9 of 14



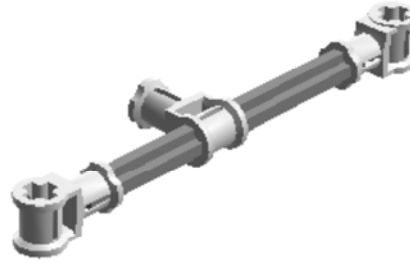
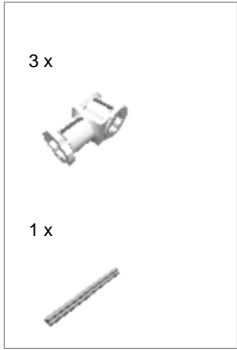
Step 10 of 14



Step 11 of 14



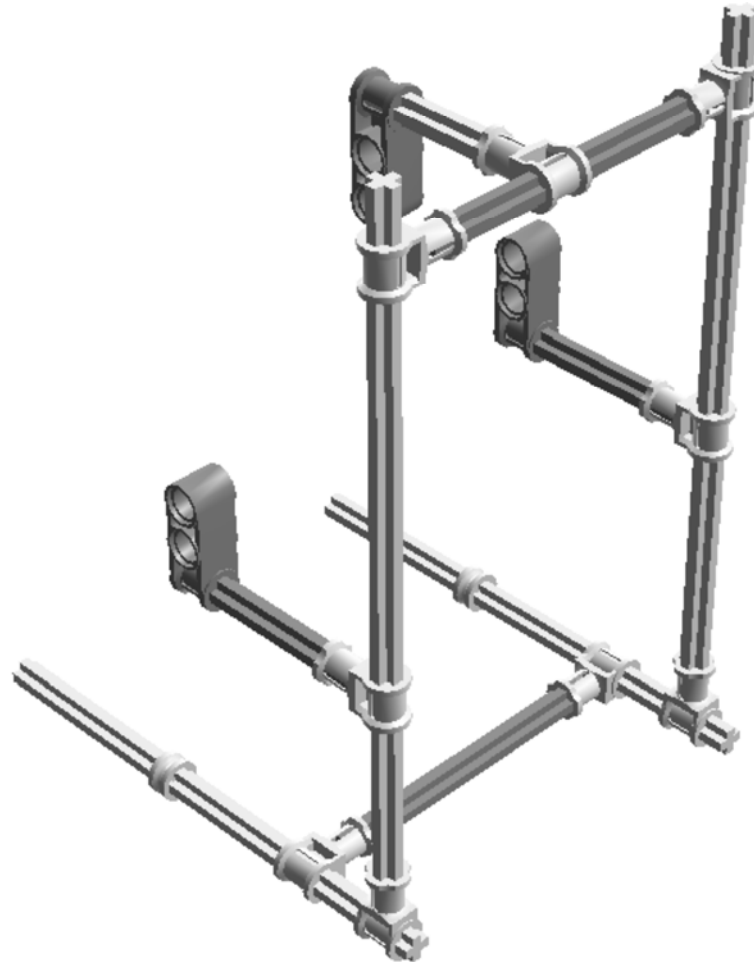
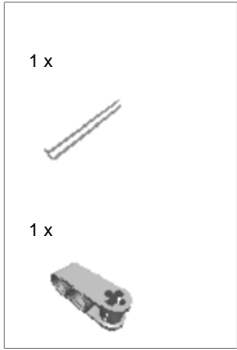
Step 12 of 14





Step 13 of 14




Step 14 of 14




2 x  4193512 1/2 BUSH - White


1 x  370501 CROSS AXLE 4M - White


9 x  4144128 CATCH W. CROSS HOLE - White

2 x  4211639 CROSS AXLE 5M - Medium Stone Grey

2 x  4211805 CROSS AXLE 7M - Medium Stone Grey

3 x  4211779 CROSS BLOCK 3M - Medium Stone Grey

2 x  4120450 CROSS AXLE 12M - White

2 x  4233225 16M AXLE Ø 4.75 W. CROSS - White

© 2012 The LEGO Group. All rights reserved.
Use of the LEGO Digital Designer html print tool, signifies your agreement to the terms of use.